

4

3

2

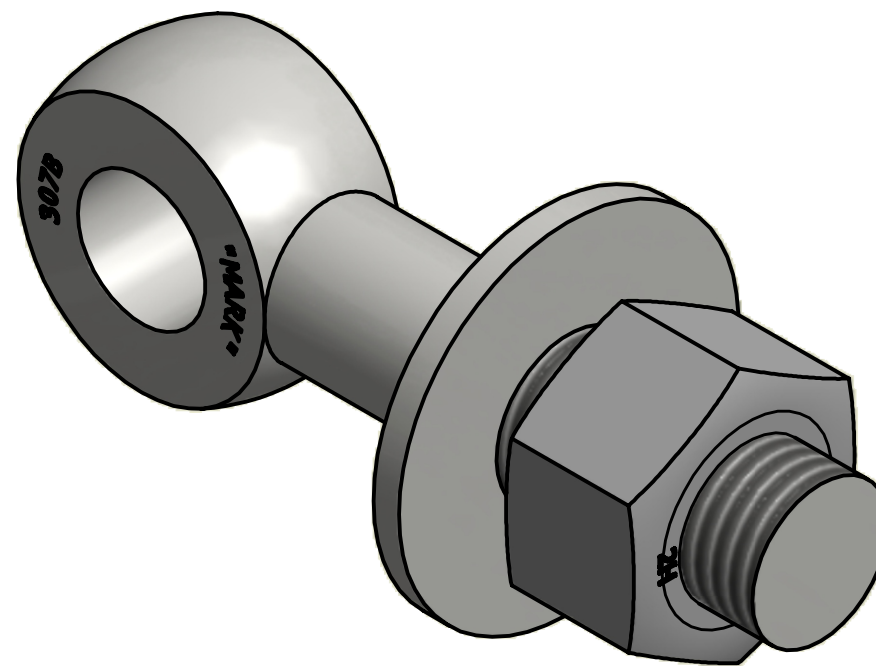
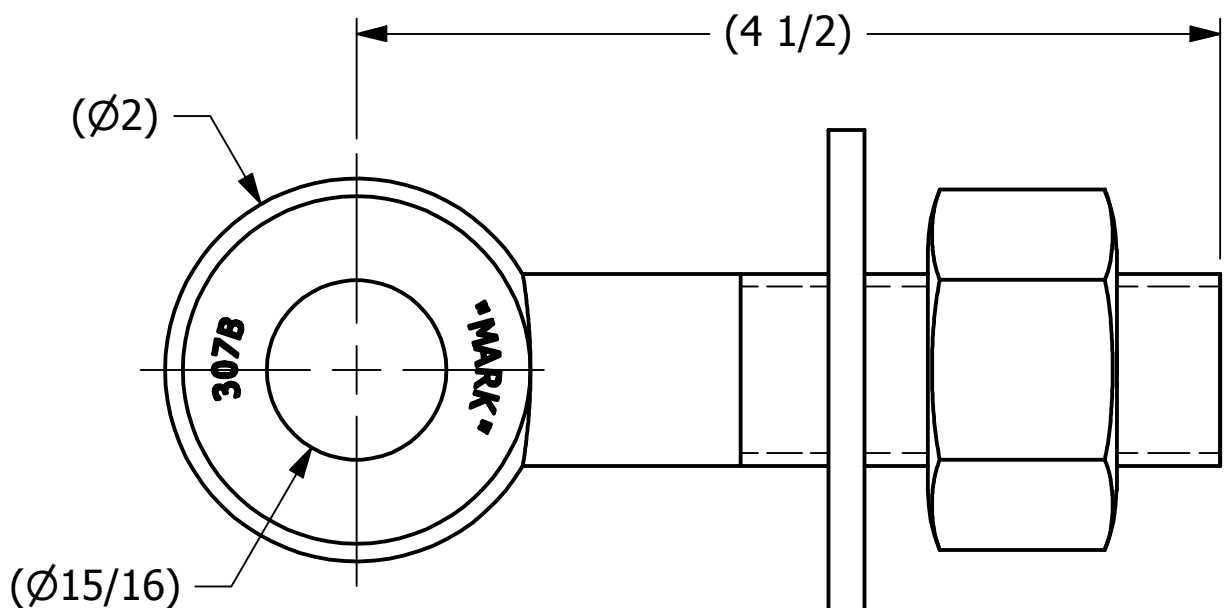
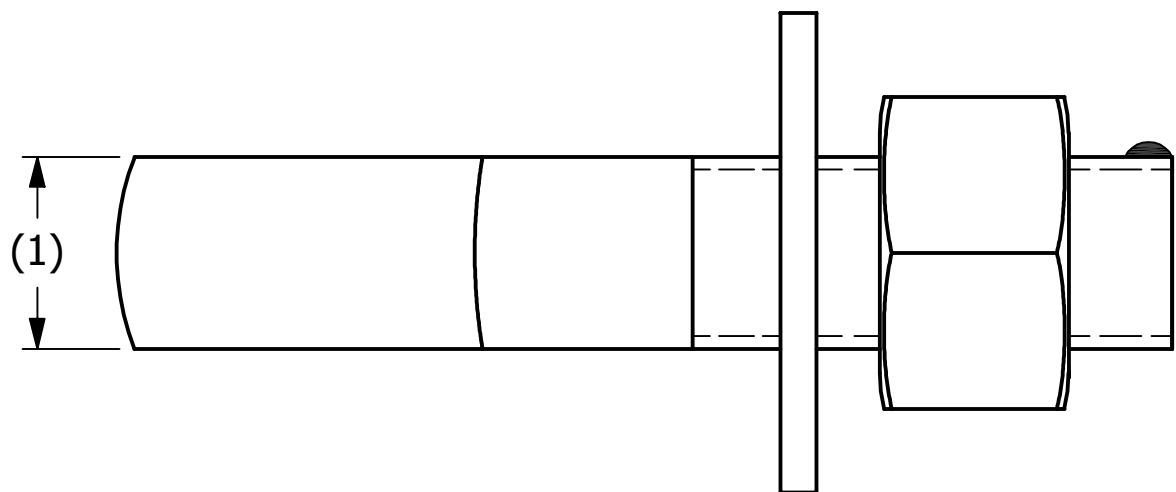
1

B

B

SALES DRAWING

SALES DRAWING



ISOMETRIC VIEW

A	CHL	4-7-09	CHANGED EYEBOLT MATERIAL
REV	BY	DATE	DESCRIPTION

UNLESS OTHERWISE SPECIFIED DIMENSIONAL TOLERANCES	DRAWN BY:	CHL
FRACTIONAL: ±1/16	CHECKED BY:	ACC
X.XX: ±.03	PROTOTYPE BY:	CHL
X.XXX: ±.015	PROTOTYPE DATE:	1/13/2003
ANGULAR: ±1°	APPROVED FOR PRODUCTION BY:	ACC
THIS PRINT, PROPERTY OF SALCO PRODUCTS INC., CONTAINS PROPRIETARY INFORMATION AND MUST NOT BE COPIED, REPRODUCED, OR USED DETRIMENTALLY TO OUR INTEREST.	PRODUCTION DATE:	1/13/2003
THIRD ANGLE PROJECTION		

PART NAME: EYEBOLT ASSEMBLY 1"X4 1/2"		
MATERIAL: CARBON STEEL		
PROJECT #:	SHEET #: 1 OF 1	SCALE: 1:1
DRAWING #: B21891	PART #: EB145XA	

4

3

2

1

A

A

4